

THIS DRAWING IS UNPUBLISHED. RELEASED FOR PUBLICATION, 19 .  
 © COPYRIGHT 19 BY AMP INCORPORATED. ALL INTERNATIONAL RIGHTS RESERVED.

MOD		LOC		DIST		P		F		REVISIONS	
ZONE	LTR	DESCRIPTION		DATE	APPD						
4	BD	35				K	REV & REDRAWN PER ECN BD5454	7-2-92	-		
						L	OBS PER EC 0020-1114-94	09/19/94	AF		
						M	REV PER ECN 0G3B-0172-01	28NOV2001	TS		

1. PLUG MATES WITH RECEPTACLE 208495.
2. THIS PLUG ACCEPTS THREE (3) TYPE XII FEMALE CONTACTS. MAXIMUM WIRE INSULATION DIAMETER = .220.
3. AMP PART NUMBER AND DATE CODE TO BE LOCATED ON COUPLING RING.

4 MAJOR KEYS IN METAL SHELL PLUG AND PLUG LOCATED 180° (OPPOSITE) FROM EACH OTHER.

DETENT MATERIAL: THERMOPLASTIC  
 COLOR: BLACK

TETRASEAL, SEE TABLE  
 MATERIAL: FLOUROCARBON

RETAINER RING  
 MATERIAL: STAINLESS STEEL

RETAINER RING  
 MATERIAL: STAINLESS STEEL

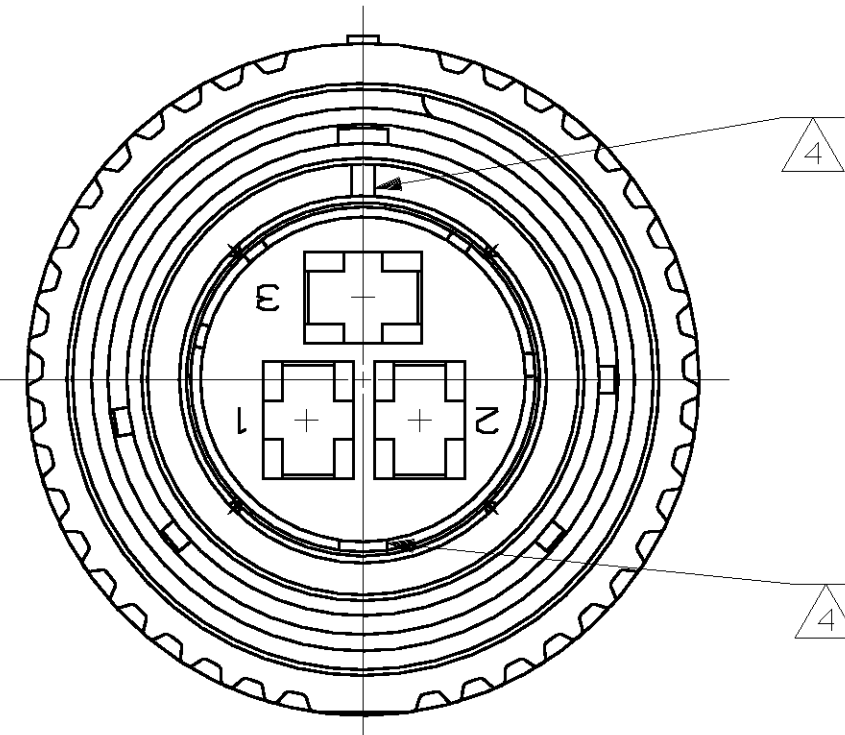
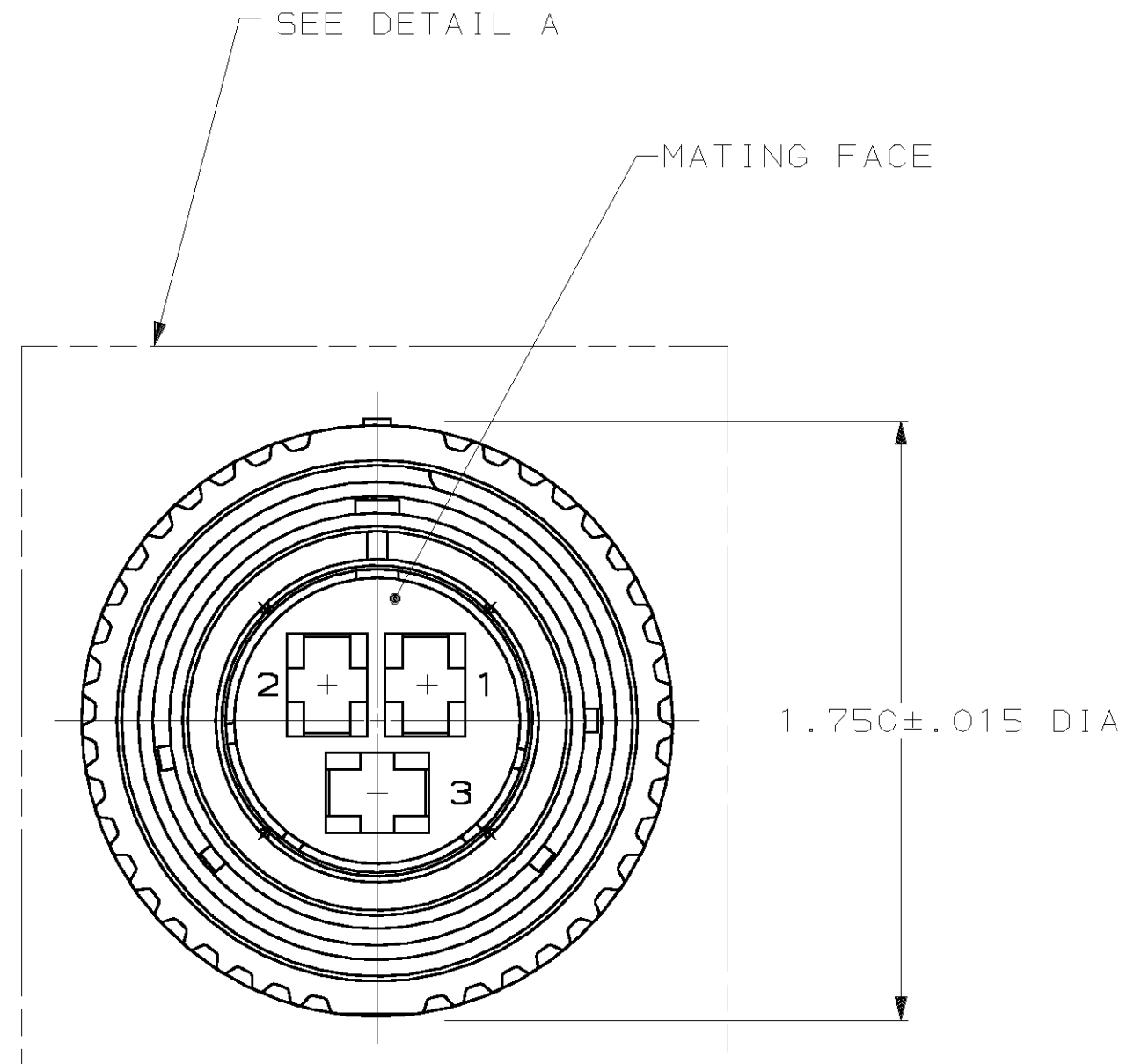
1-3/16 - 18 UNEF-2A  
 THREAD

PLUG HOUSING, STD SEX  
 ARRANGEMENT 17-3  
 MATERIAL: THERMOPLASTIC  
 COLOR: BLACK

PLUG SHELL  
 MATERIAL: ZINC ALLOY  
 FINISH: NICKEL PER QQ-N-290

COUPLING RING  
 MATERIAL: ZINC ALLOY  
 FINISH: NICKEL PER QQ-N-290

±.010  
 .380  
 1.805 MAX



DETAIL A

OBSOLETE	DETAIL A	NO	208494-4
	AS SHOWN	YES	208494-3
	AS SHOWN	NO	208494-1
	KEYING	TETRASEAL	PART NUMBER

DO NOT SCALE PRINT. UNLESS SPECIFIED DIMENSIONS IN INCHES TOLERANCES ON : 2 PLC DEC ± - 3 PLC DEC ± - ANGLES ± -	DR 7-2-92 H MOLL	AMP Incorporated Harrisburg, PA 17105-3608		
MATERIAL SEE CALLOUT	CHK 12-29-92 R.STONE			NAME PLUG ASSEMBLY, STANDARD SEX, SERIES 3, 22-3, CMC
FINISH SEE CALLOUT	APPD 12-29-92 K.BEAVER	SIZE C	CAGE CODE 00779	DRAWING NO 208494
	APPD 12-29-92 C.ROHDE	SCALE 2:1		SHEET 1 OF 1
	PRODUCT SPEC 108-10040			
	APPLICATION SPEC -			
	WEIGHT -			